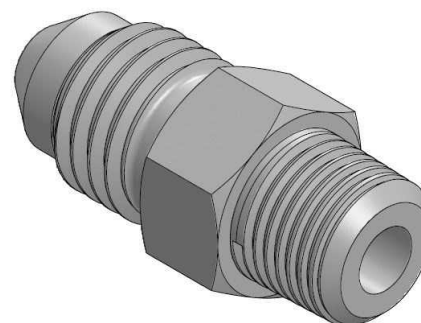
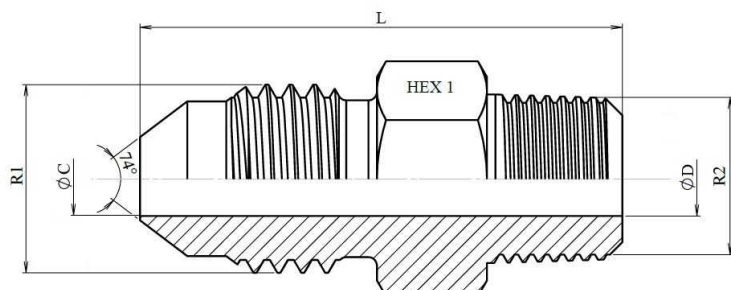


Racores JIC 37º

Uniones rectas JIC 37º

**Racor macho JIC 37º - macho BSPT**

Acero Inoxidable AISI 316-L

**1/1**

Artículo	ØD1	ØD2	R1	R2	L	HEX 1	ØC	ØD
<b>ZS2100610</b>	6	1/4"	7/16" 20h UNF	1/8" BSPT	29	14	4	4
<b>ZS2100613</b>	6	1/4"	7/16" 20h UNF	1/4" BSPT	32,5	14	4	4
<b>ZS2100810</b>	8	5/16"	1/2" 20h UNF	1/8" BSPT	29	14	6	6
<b>ZS2100813</b>	8	5/16"	1/2" 20h UNF	1/4" BSPT	33	14	6	6
<b>ZS2100817</b>	8	5/16"	1/2" 20h UNF	3/8" BSPT	33,5	19	6	6
<b>ZS2101013</b>	10	3/8"	9/16" 18h UNF	1/4" BSPT	33	17	7,5	7,5
<b>ZS2101017</b>	10	3/8"	9/16" 18h UNF	3/8" BSPT	33	19	7,5	7,5
<b>ZS2101021</b>	10	3/8"	9/16" 18h UNF	1/2" BSPT	35	22	7,5	7,5
<b>ZS2101213</b>	12	1/2"	3/4" 16h UNF	1/4" BSPT	36	19	9,5	6
<b>ZS2101217</b>	12	1/2"	3/4" 16h UNF	3/8" BSPT	36	19	9,5	9,5
<b>ZS2101221</b>	12	1/2"	3/4" 16h UNF	1/2" BSPT	38	22	9,5	9,5
<b>ZS2101226</b>	12	1/2"	3/4" 12h UNF	3/4" BSPT	41,5	27	9,5	16
<b>ZS2101617</b>	14-15-16	5/8"	7/8" 14h UNF	3/8" BSPT	40	24	12	8
<b>ZS2101621</b>	14-15-16	5/8"	7/8" 14h UNF	1/2" BSPT	42	24	12	12
<b>ZS2101626</b>	14-15-16	5/8"	7/8" 14h UNF	3/4" BSPT	44	27	12	16
<b>ZS2102021</b>	18-20	3/4"	1"1/16 12h UN	1/2" BSPT	46,5	27	15	11
<b>ZS2102026</b>	18-20	3/4"	1"1/16 12h UN	3/4" BSPT	48,5	27	15,5	15,5
<b>ZS2102033</b>	18-20	3/4"	1"1/16 12h UN	1" BSPT	58	36	15	15
<b>ZS2102526</b>	25	1"	1"5/16 12h UN	3/4" BSPT	50	36	21,5	16
<b>ZS2102533</b>	25	1"	1"5/16 12h UN	1" BSPT	52	36	21,5	21,5
<b>ZS2103233</b>	30-32	1" 1/4	1"5/8 12h UN	1" BSPT	55	46	27,5	22
<b>ZS2103242</b>	30-32	1" 1/4	1"5/8 12h UN	1 1/4" BSPT	57	46	27,5	27,5
<b>ZS2103848</b>	38	1" 1/2	1"7/8 12h UN	1 1/2" BSPT	69,5	50	33	33